

SERIES 3

THE EVOLUTION!

A step beyond

With more features than its predecessor, the new Series 3 has been redesigned to integrate all its elements into a smaller and more compact model. Completely symmetric now it incorporates a new configurable system that allows a dual voltage.

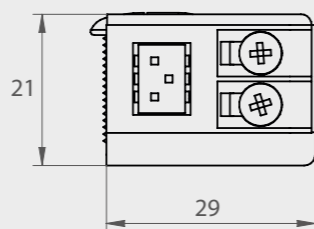


3 Instantaneous unlocking

Forgetting about DIN

Our engineers have reimagined the electric strikes to make them reversible. Thanks to their symmetrical build and tinier box, we have been able to create a product suitable for any door. A brilliant system of internal levers provides a safe and durable unlocking for doors in public use.

SYMMETRIC DESIGN

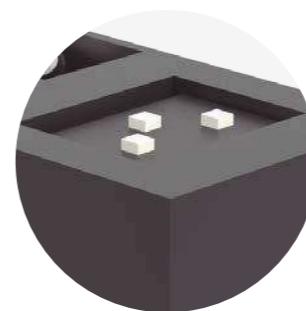


Technical characteristics

Break-in resistance (keeper's pressure)	3.500 N
Dynamic strength (door impact)	4.400 N
Endurance rating <input type="checkbox"/> (cycles with no side-load)	200.000
Endurance rating <input checked="" type="checkbox"/> (cycles with 120 N side-load AC)	200.000
Temperature	- 25 °C to + 70 °C
Complies with the directive:	2014/30/UE 2011/65/UE

According to EN 14846 standard

Fail-secure:	3 X 2 0 0 L 0 0 0
Fail-safe:	3 C 2 0 0 L 0 0 0



3D Dual performance

Double function.
Twice as good!

The objective was clear: to reduce storage costs and save on commuting during installation. The most versatile model of Series 3 for its dual function 12 / 24V DC. It includes a pin selector to configure the desired voltage.

DUAL VOLTAGE



ELECTRONIC PROTECTION

Our aim is to guarantee a longer lifespan for your electric strike. Our DC 100% coils are equipped with an electronic protection to prevent electrical overload.



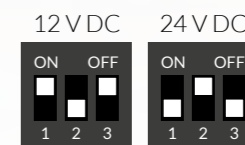
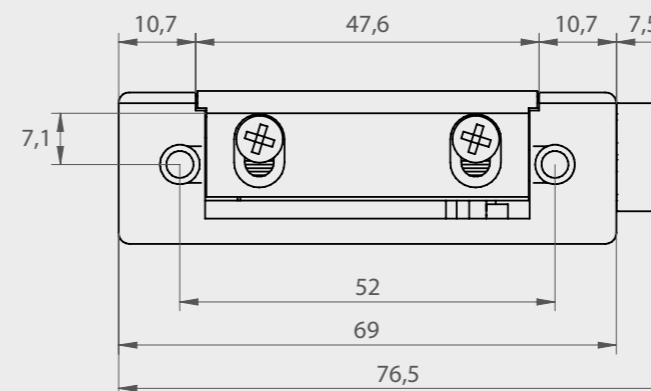
REVERSIBILITY: GOODBYE DIN 107

Reliability assured with the coil's new position. The internal mechanism is more accurate and allows our product to work on any kind of door, whether it opens to the right or to the left.



INGENIOUS AUTOMATIC SYSTEM

The goal was to unify the keeper with the automatic switch. When adjusting the keeper of the electric strike, this new automatic system will move alongside it to avoid gaps and provide better contact with the door latch.



DUAL VOLTAGE
Electrical adjustment depending on the position of the pins.

NEW ITEM NUMBERS (EXAMPLE)

Model	Function	Coil	Keeper	Cover
3	0	B	(K)	(C)

ITEM NUMBERS AND FEATURES

Functions

3

3D



30B(K)(C)
30D(K)(C)
30E(K)(C)
30F(K)(C)
30H(K)(C)
30S(K)(C)



3D0W(K)(C)

0. Fail-secure



31B(K)(C)
31D(K)(C)
31E(K)(C)
31F(K)(C)
31H(K)(C)
31S(K)(C)



3D1W(K)(C)

1. Fail-secure with mechanical unlocking



32B(K)(C)
32D(K)(C)
32E(K)(C)
32H(K)(C)
32S(K)(C)

2. Hold-open



33B(K)(C)
33D(K)(C)
33E(K)(C)
33H(K)(C)
33S(K)(C)

3. Hold-open with mechanical unlocking



34E(K)(C)
34F(K)(C)



3D4W(K)(C)

4. Fail-safe



3AB(K)(C)
3AD(K)(C)
3AH(K)(C)
3AS(K)(C)

A. Internal hold-open



3BB(K)(C)
3BD(K)(C)
3BH(K)(C)
3BS(K)(C)

B. Internal hold-open with mechanical unlocking

Coils

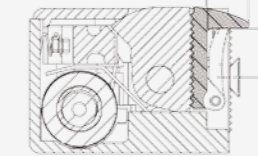
Electrical characteristics

	B	D	E	F	H	S	W
Electrical data	6-14V AC/DC	24V AC	12V DC	24V DC	8-14V AC/DC	8V DC	12-24V AC 12-24V DC
Continuous duty	< 1 min	< 1 min	ED 100%	ED 100%	< 1 min	ED 100%	AC: < 1 min DC: ED 100%
Transient Voltage Suppressor (TVS)	-	-	SI	SI	-	SI	SI
Rated resistance	8,5 Ω	50 Ω	50 Ω	185 Ω	14 Ω	25 Ω	12V - 35 Ω 24V - 140 Ω
Current consumption AC	0,50 A 6V 1 A 12V 1,16 A 14V	0,34 A	.	.	0,4 A 8V 0,61 A 12V 0,71 A 14V	-	0,24 A 12V 0,12 A 24V
Current consumption DC (stabilized)	0,71 A 6V 1,40 A 12V 1,65 A 14V	-	0,24 A	0,13 A	0,57 A 8V 0,86 A 12V 1 A 14V	0,32 A 8V	0,34 A 12V 0,17 A 24V
Maximum side-load on AC	12V - 120 N	120 N	-	-	12V - 120 N	-	120 N
Maximum side-load on DC (stabilized)	12V - 10 N	-	10 N	10 N	12V - 10 N	10 N	10 N

Creating new item numbers

Remember to replace the (K) and (C) that correspond to the Keeper and the Cover of the product by the desired number. For example:
30B(K)(C) would be **30B11** if we chose Keeper 1 and Cover 1.

Keeper side view



Dimension X
Keeper depth

Dimension Y
Keeper's adjustability from minimum to maximum

Section view

Keeper (K)

1				Adjustable keeper made of zamak Suitable for features 0 / 1 / 4 / A / B X= 5,4 mm Y= 7,1 a 10,1 mm (An aperture suitable for features 2 / 3) X= 6,15 mm Y= 7,1 a 10,1 mm
2				Adjustable keeper made of zamak Suitable for features 0 / 1 / 4 / A / B X= 8 mm Y= 7,1 a 10,1 mm
3				Adjustable keeper made of zamak Suitable for features 0 / 1 / 4 / A / B X= 13,5 mm Y= 7,1 a 10,1 mm
4				Fixed keeper made of zamak Suitable for features 0 / 1 / 4 / A / B X= 5,4 mm Y= 7,1 mm

Cover (C)

0	Nylon	
1	Zamak	